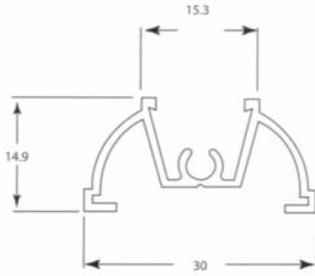
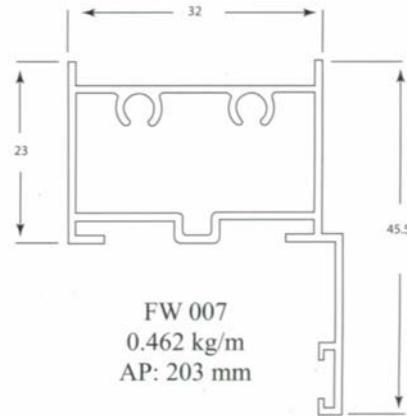


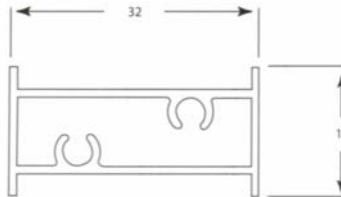
## Casement Window - Architectural Section -



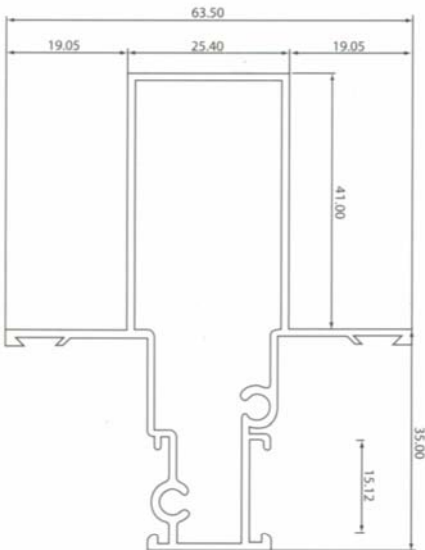
FW 005  
0.225 kg/m  
AP: 162 mm



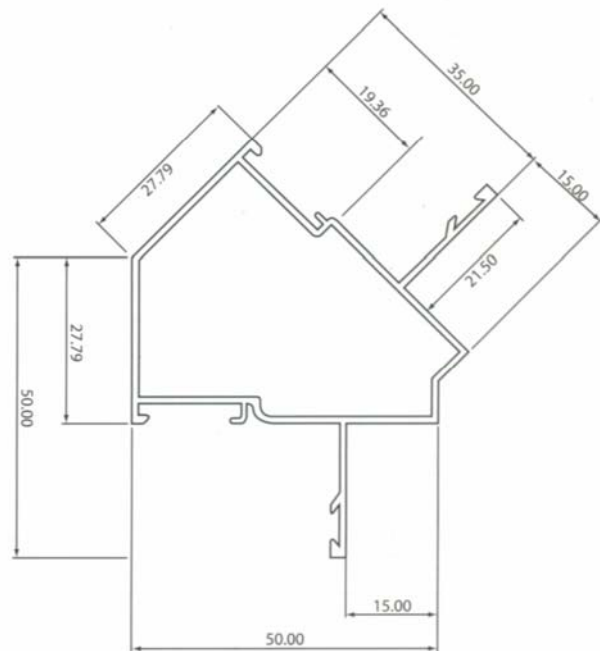
FW 007  
0.462 kg/m  
AP: 203 mm



FE 004  
0.307 kg/m  
AP: 110 mm

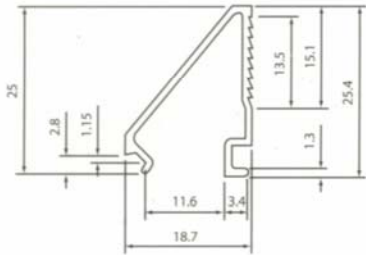


KL 047  
0.882 kg/m  
AP: 326 mm

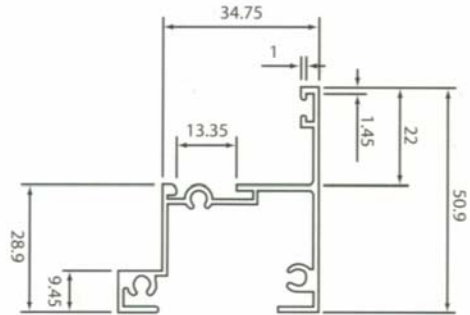


KL 046  
0.723 kg/m  
AP: 296 mm

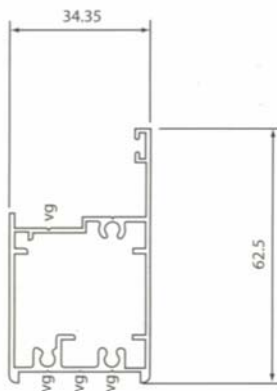
## Casement Window - Architectural Section -



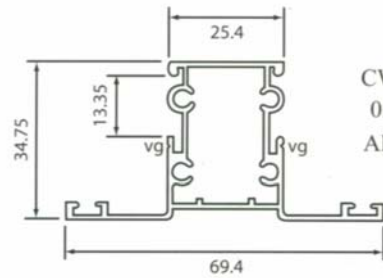
CW/AP001B  
0.189 kg/m  
AP: 133 mm



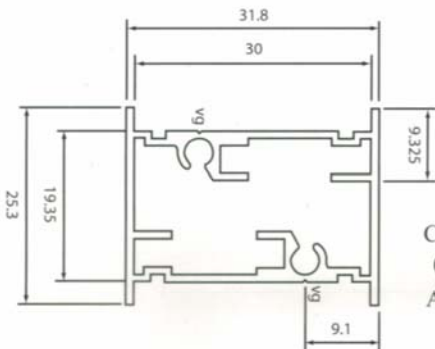
CW/AP067B  
0.62 kg/m  
AP: 348 mm



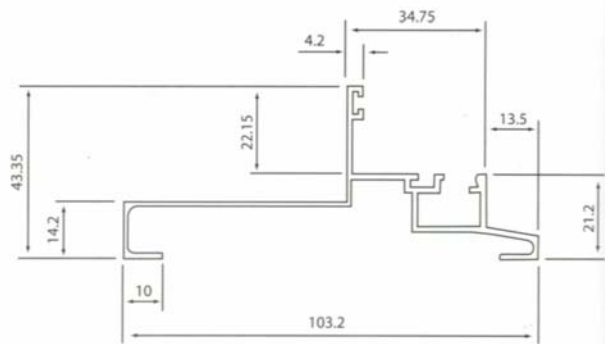
CW/AP007B  
0.731 kg/m  
AP: 220 mm



CW/AP071B  
0.699 kg/m  
AP: 281 mm

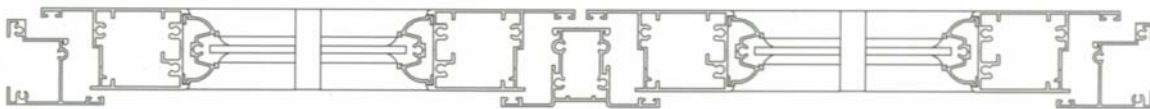
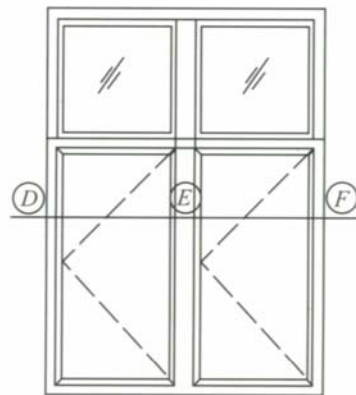
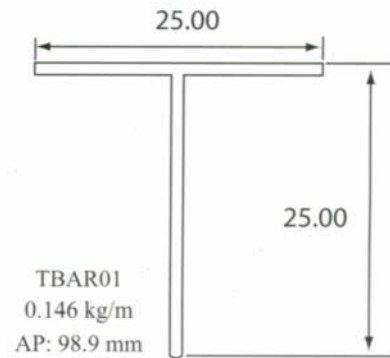
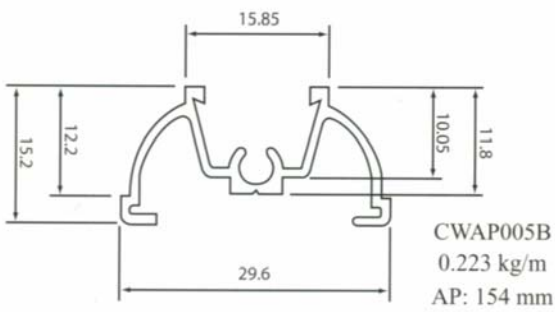


CW/AP004B  
0.411 kg/m  
AP: 133 mm

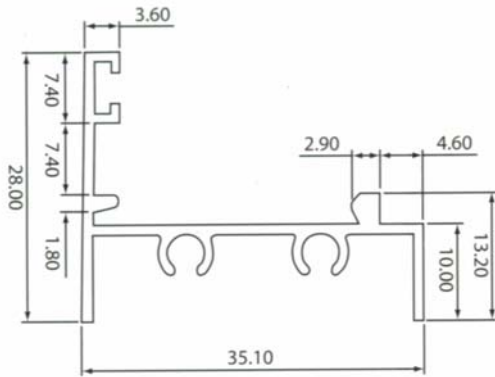


CW/AP/D801  
0.803 kg/m  
AP: 430 mm

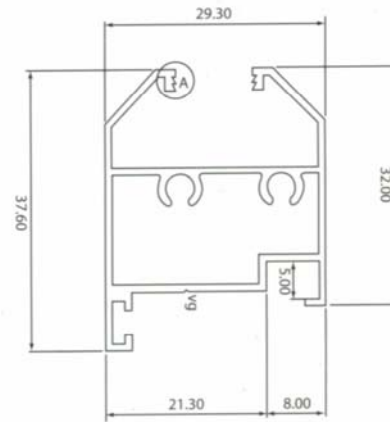
## Casement Window - Architectural Section -



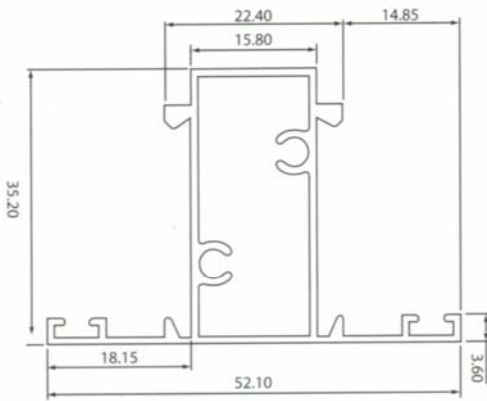
## Casement Window - Architectural Section -



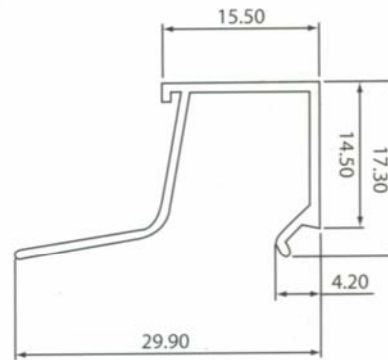
**CW001**  
0.0306 kg/m  
AP: 202 mm



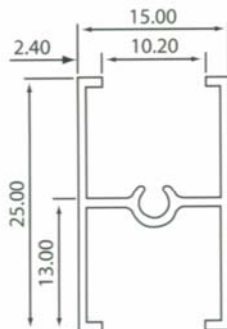
**CW002**  
0.489 kg/m  
AP: 229 mm



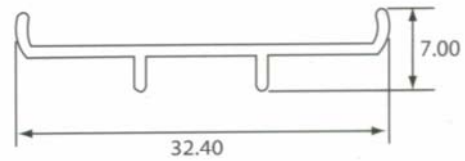
**CW003**  
0.0551 kg/m  
AP: 227 mm



**CW004**  
0.171 kg/m  
AP: 126 mm

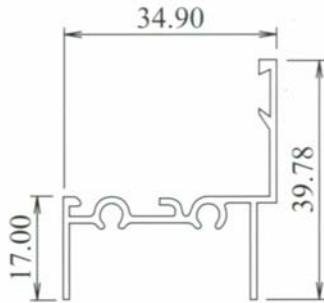


**EP1247**  
0.0179 kg/m  
AP: 150 mm

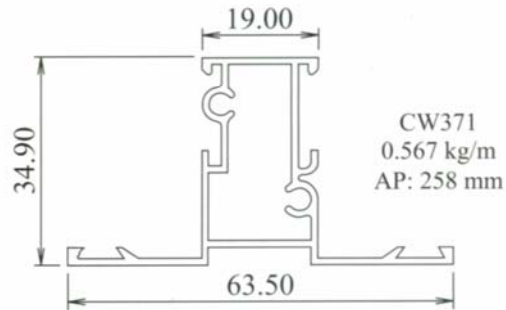


**AP/D802**  
0.123 kg/m  
AP: 86.24 mm

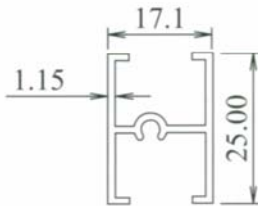
## Casement Window - Architectural Section -



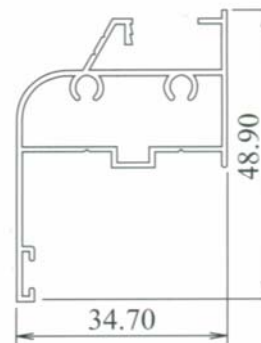
CW367  
0.328 kg/m  
AP: 230 mm



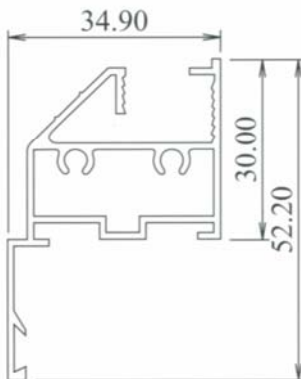
CW371  
0.567 kg/m  
AP: 258 mm



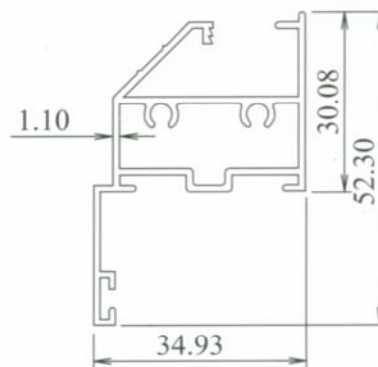
CW373  
0.233 kg/m  
AP: 160 mm



CW6474  
0.474 kg/m  
AP: 228.13 mm

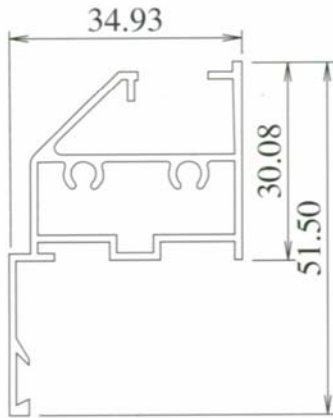


CW375  
0.488 kg/m  
AP: 255 mm

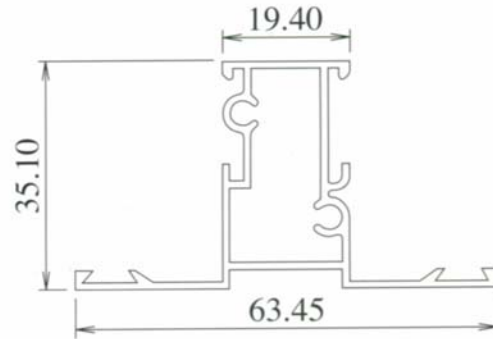


CW376  
0.573 kg/m  
AP: 267.59 mm

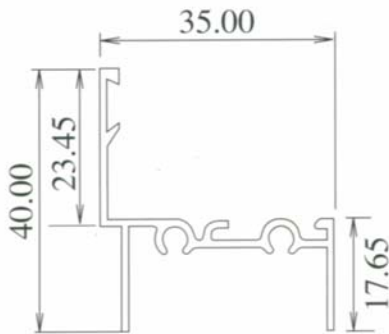
## Casement Window - Architectural Section -



CW375-B  
0.544 kg/m  
AP: 253 mm



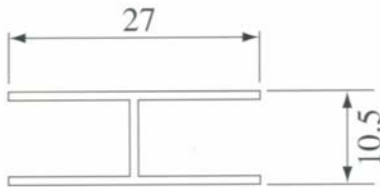
CW371-B  
0.596 kg/m  
AP: 258 mm



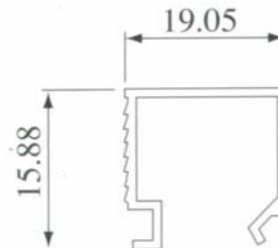
CW367-B  
0.362 kg/m  
AP: 227 mm



CW372  
0.197 kg/m  
AP: 157 mm

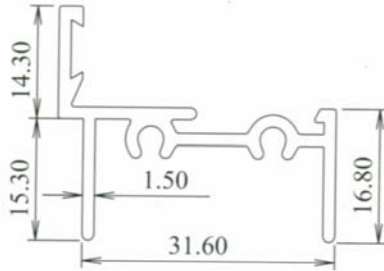


CW374  
0.186 kg/m  
AP: 127 mm

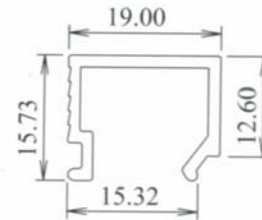


CW368  
0.148 kg/m  
AP: 117 mm

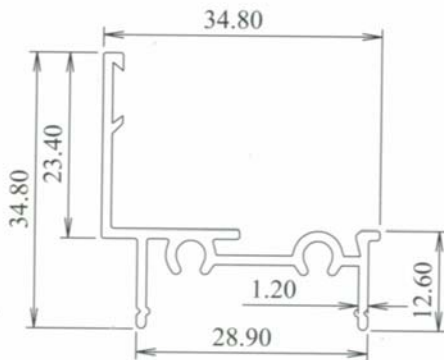
## Casement Window - Architectural Section -



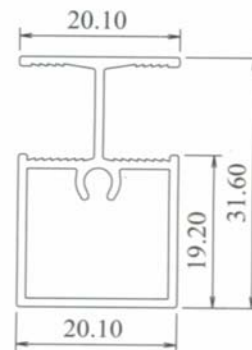
AS6566  
0.473 kg/m  
AP: 201 mm



AS6565  
0.233 kg/m  
AP: 109 mm



AS6562  
0.368 kg/m  
AP: 205 mm



AS8904  
0.353 kg/m  
AP: 145 mm