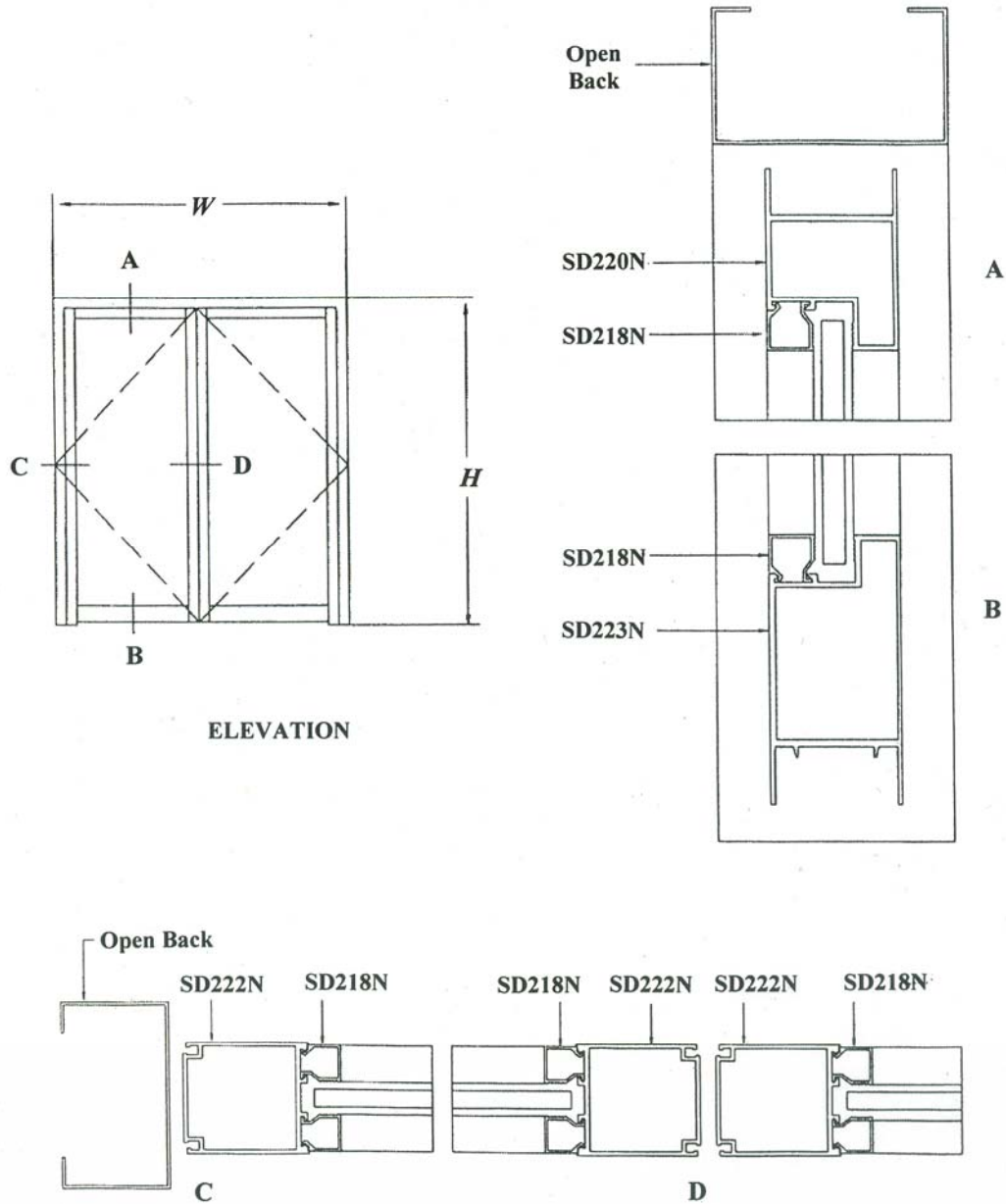


PIONEER

Durable, Reliable, Quality Best Products



Swing Door - Architectural Section -

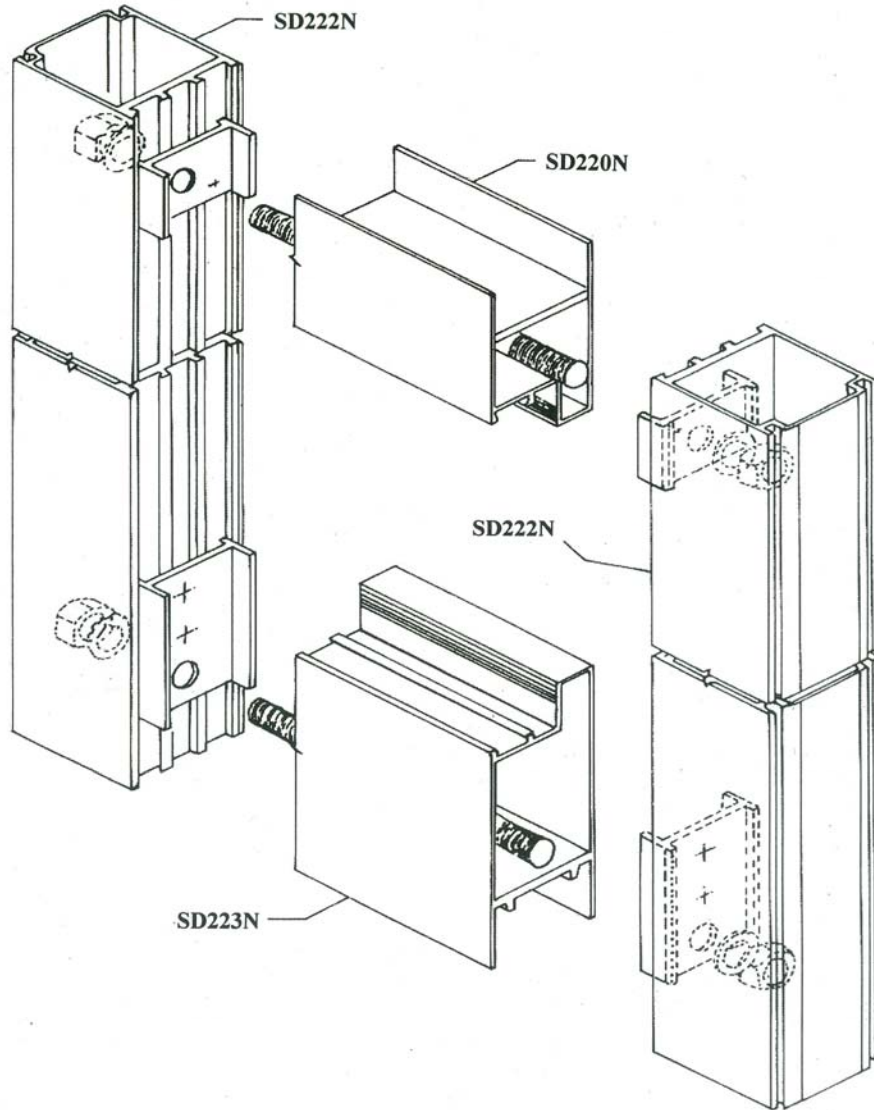


PIONEER

Durable, Reliable, Quality Best Products



Swing Door
- Architectural Section -

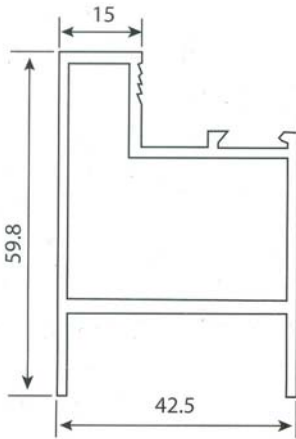


PIONEER

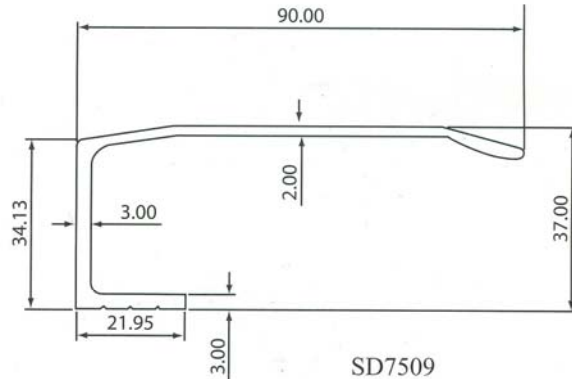
Durable, Reliable, Quality Best Products



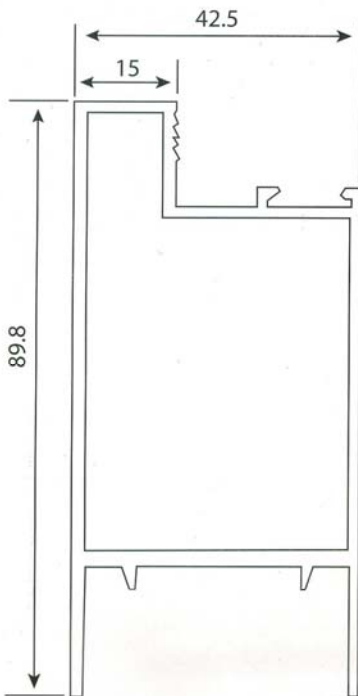
Swing Door - Architectural Section -



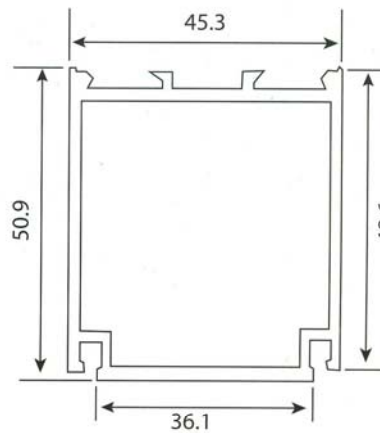
SD220N
0.900 kg/m
AP: 253 mm



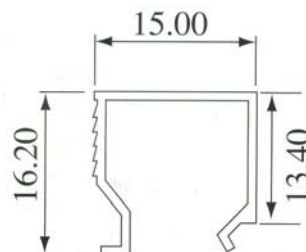
SD7509
1.033 kg/m
AP: 285 mm



SD223N
1.227 kg/m
AP: 334 mm



SD222N
0.878 kg/m
AP: 239 mm



SD218N
0.145 kg/m
AP: 104 mm