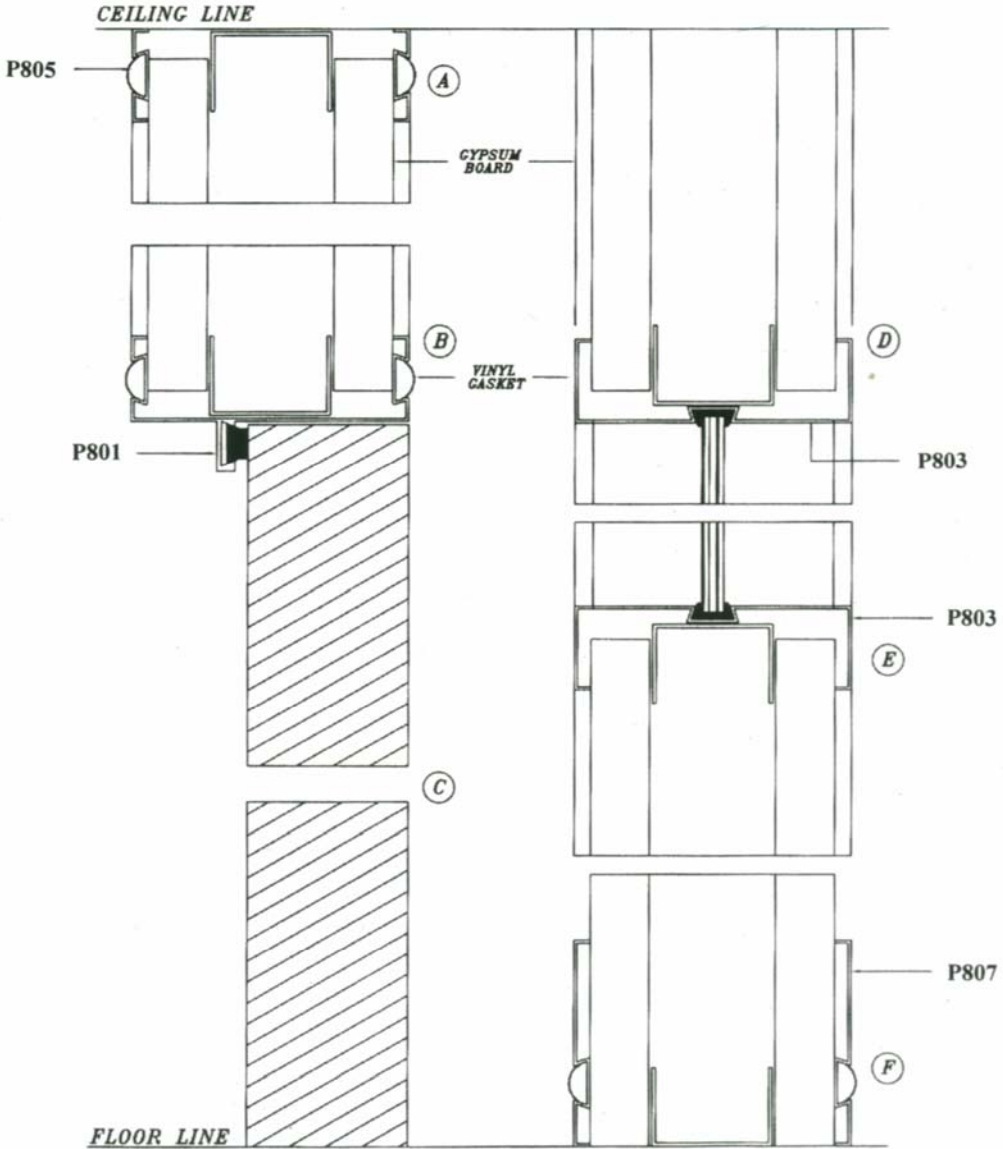


PIONEER

Durable, Reliable, Quality Best Products



Partitions - Architectural Section -

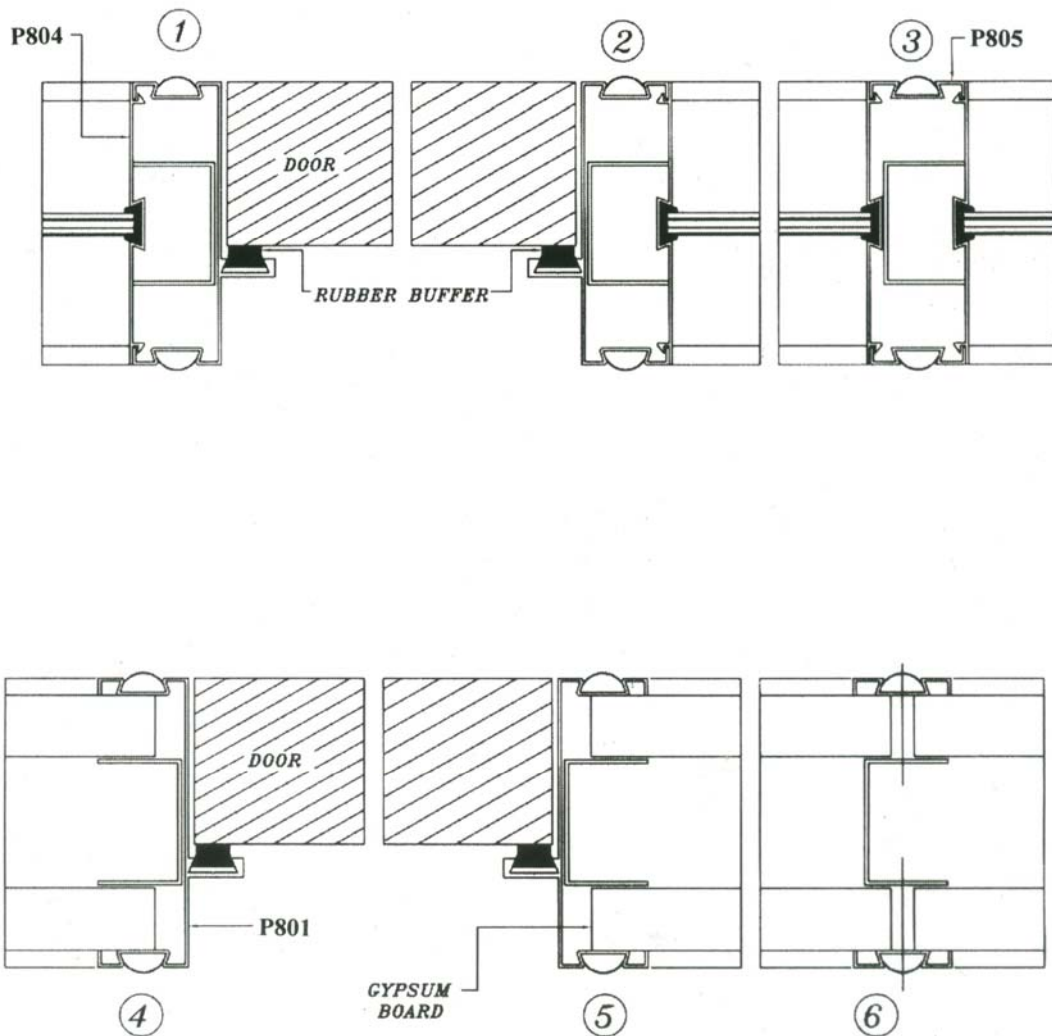


PIONEER

Durable, Reliable, Quality Best Products



Partitions - Architectural Section -

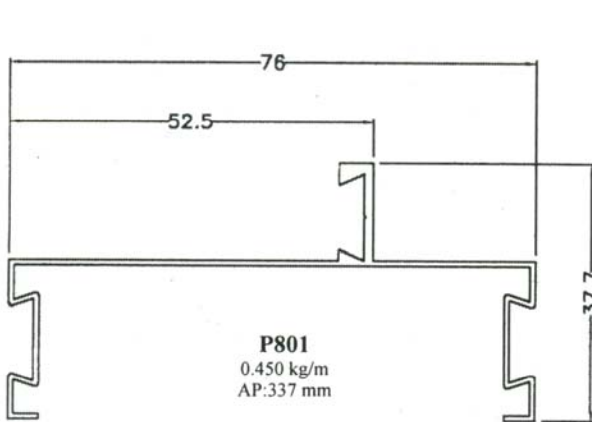


PIONEER

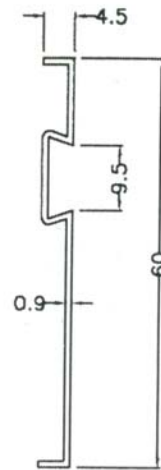
Durable, Reliable, Quality Best Products



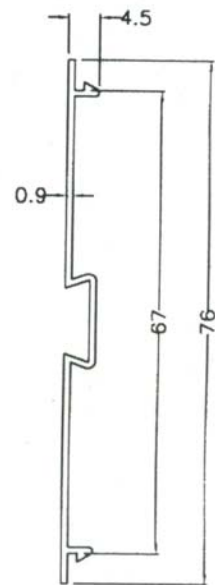
Partitions - Architectural Section -



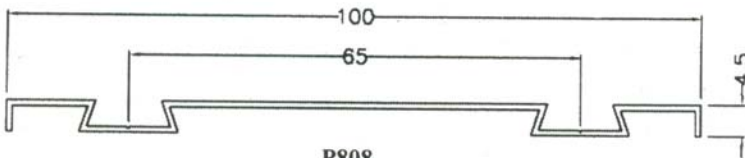
P801
0.450 kg/m
AP:337 mm



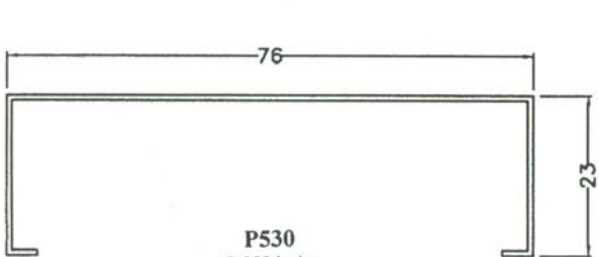
P807
0.172 kg/m
AP:155 mm



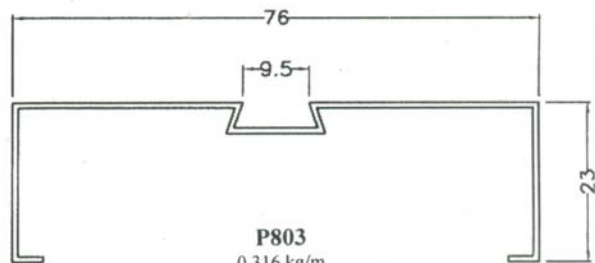
P804
0.213 kg/m
AP:155 mm



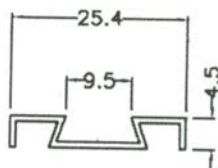
P808
0.282 kg/m
AP:258 mm



P530
0.282 kg/m
AP:257 mm



P803
0.316 kg/m
AP:278 mm



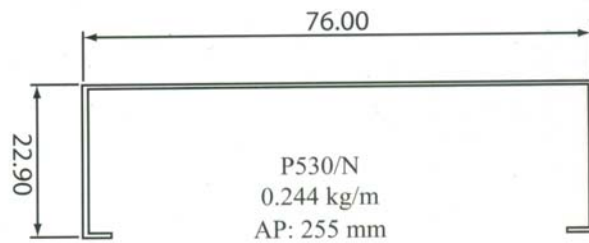
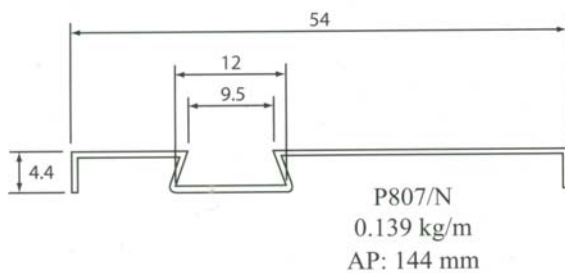
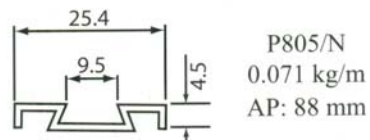
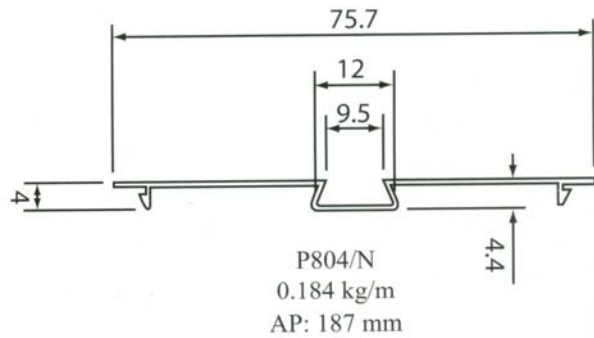
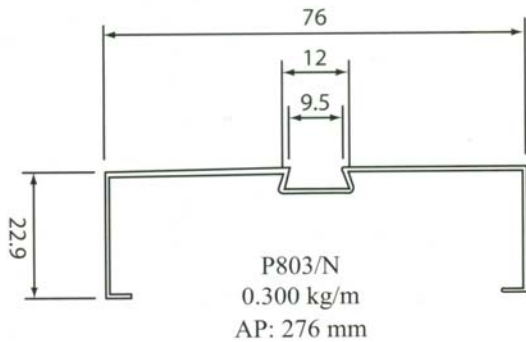
P805
0.087 kg/m
AP:88 mm

PIONEER



Durable, Reliable, Quality Best Products

Partitions



Cabinet

